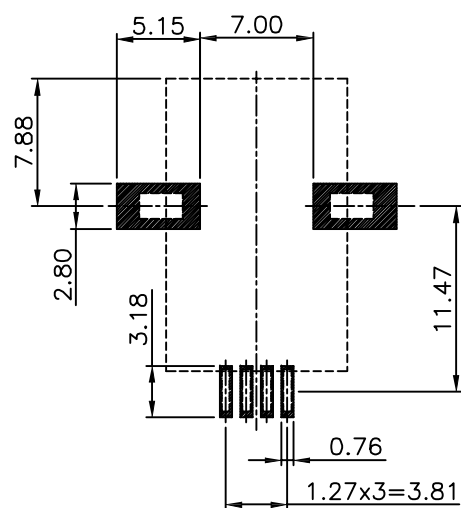
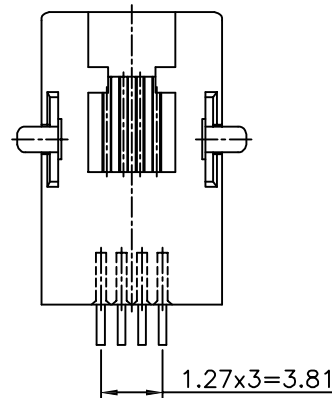
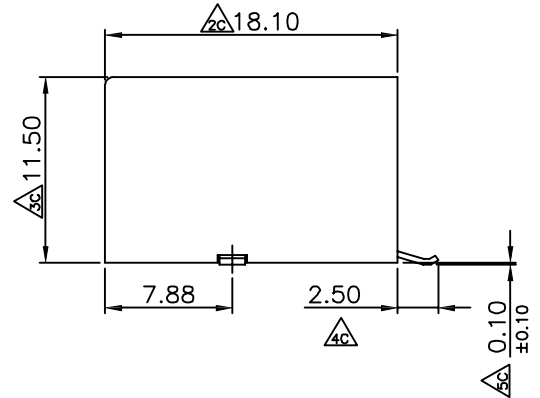
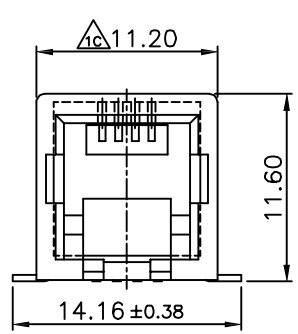


4	3	2	1
CATEGORY	DESCRIPTION	P/N #	
CONNECTOR	RJ9 4P4C SMT Connector		

REV.	ECN NO	DESCRIPTION	REVISED	DATE
A01		New Release	KELLY	2014.06.13



PCB LAYOUT/TOP VIEW

**MATERIALS:**  
 PLASTIC HOUSING: HIGH TEMP. THERMOPLASTIC  
 FLAMMABILITY RATING UL 94V-0.  
 CONTACTS: PHOSPHOR BRONZE  
 PLATING: GOLD PLATING OVER NICKEL IN CONTACT.  
 TIN PLATING OVER NICKEL IN SOLDER AREA.  
 SOLDER PADER: BRASS PLATING NICKEL ALLOY.

**Electrical:**  
 1.Voltage Rating:125 Vac Rms.  
 2.Current Rating:1.5 Amp.  
 3.Contact Resistance:40 Milliohms Max.  
 4.Insulation Resistance:1000 Megohms Min @500 Vdc.  
 5.Dielectric Strength:1000 Vac Rms 60Hz, 1Min.  
**Mechanical:**  
 1.Operating:750 Cycles Min.  
**Environmental:**  
 1.Storage:-40°C To +85°C.  
 2.Opertion:-20°C To +75°C.  
 3.IR Reflow Soldering Temperature:255°C To 265°C(5~10 Seconds).  
 Mates With Modular Plug Conforming To FCC Part 68, Subpart F.

Coorle 库乐科技

UNLESS OTHERWISE SPECIFIED TOLERANCES	SCALE:1/1	UNIT: mm	DWG.NO:	
	SIZE: A3	PAGE:1 OF 1	REV:A01	
DECIMALS:	APPROVED BY	CHECKED BY	PREPARED BY	
X :±0.5 X :±2°	TONY	BILL	KELLY	
X.X :±0.3 X.X :±1°	CUSTOMER COPY			
X.XX :±0.2				